

L55xxx2-V02
Termination Load 50 ohm
N / 4.3-10 / 7/16
DC-4000



Termination Load 50ohm DC-4000 50-200W

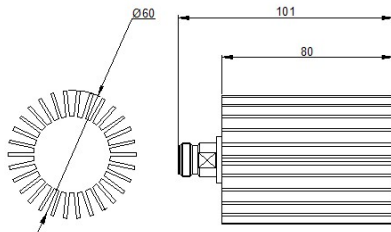
Type	N Female	L5530502-v02	L5531002-v02	L5532002-v02
	N Male	L5540502-v02	L5541002-v02	L5542002-v02
	4.3-10 Female	L5510502-v02	L5511002-v02	L5512002-v02
	4.3-10 Male	L5520502-v02	L5521002-v02	L5522002-v02
	7/16 Female	L5550502-v02	L5551002-v02	L5552002-v02
	7.16 Male	L5560502-v02	L5561002-v02	L5562002-v02
	Power Rating (W)	50		100
Frequency (MHz)	DC - 4000			
PIM3 (dBc, @2x43dBm)	≤ -120			
Impedance (Ω)	50			
Return Loss (dB)	≥ 21			
Dimension (mm) (excluding connector and bracket)	Ø60 x 80	Ø60 x 150	200 x 176 x 75	
Weight (kgs) (including connector and bracket)	N Female: 0.45	N Female: 0.95	N Female: 2.35	
	N Male: 0.45	N Male: 0.95	N Male: 2.35	
	4.3-10 Female: 0.45	4.3-10 Female: 0.95	4.3-10 Female: 2.35	
	4.3-10 Male: 0.45	4.3-10 Male: 0.95	4.3-10 Male: 2.35	
	7/16 Female: 0.50	7/16 Female: 1.0	7/16 Female: 2.4	
	7/16 Male: 0.50	7/16 Male: 1.0	7/16 Male: 2.4	
Ingress Protection	IP68			
Operating Temperature (°C)	-40 to +65			
Operating RH (%)	≤ 95			

Packing Information

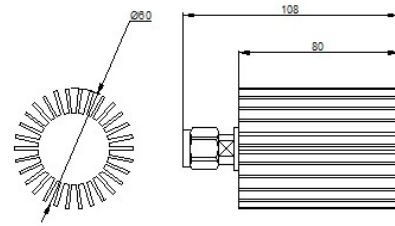
Packing Size (mm)	50W: 160 x 70 x 70 100W: 210 x 70 x 70 200W: 270 x 230 x 120
SKU (unit/inner carton)	50W: 50 pieces per inner carton/box 100W: 25 pieces per inner carton/box 200W: 8 pcs per inner carton/box

(D)20985560/20916560/20946560
(D)21085560/21016560/21046560
(D)22085560/22016560/22046560
(D)23085560/23016560/23046560
(D)24085560/24016560/24046560
(D)25085560/25016560/25046560

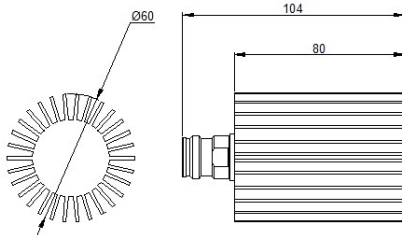
L55xxx2-V02
Termination Load 50 ohm
N / 4.3-10 / 7/16
DC-4000



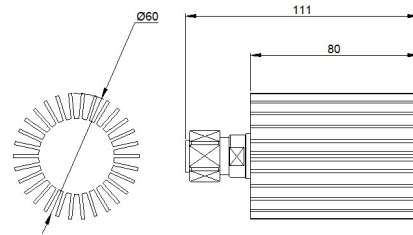
50W N Female



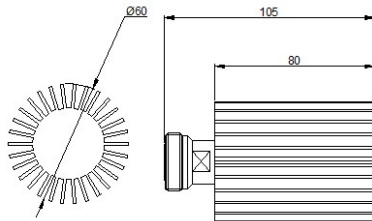
50W N Male



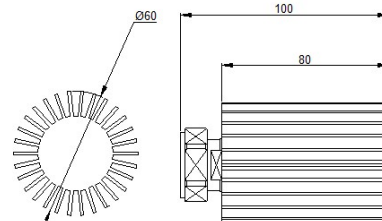
50W 4.3-10 Female



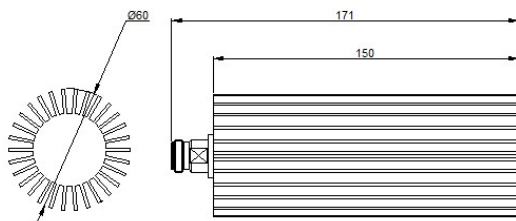
50W 4.3-10 Male



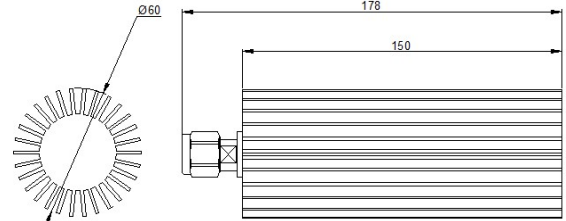
50W 7/16 Female



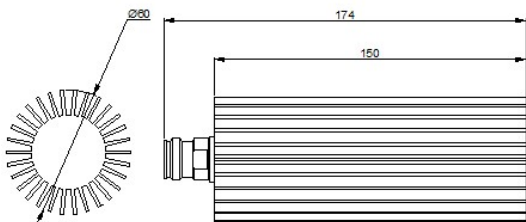
50W 7/16 Male



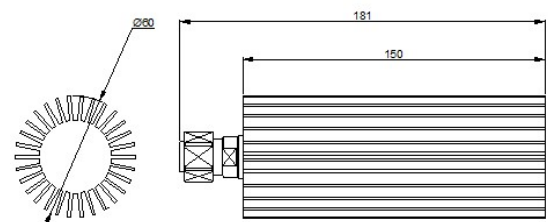
100W N Female



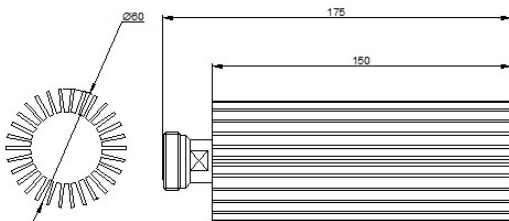
100W N Male



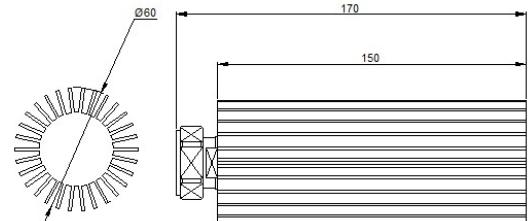
100W 4.3-10 Female



100W 4.3-10 Male

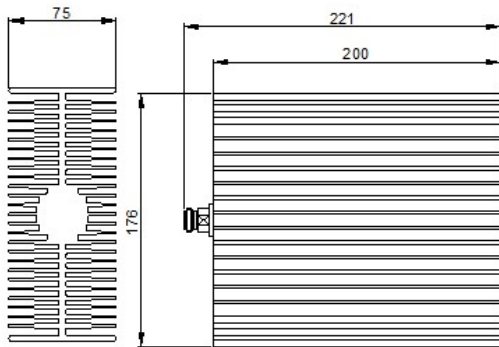


100W 7/16 Female

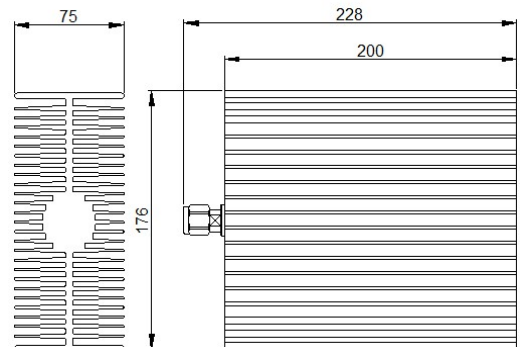


100W 7/16 Male

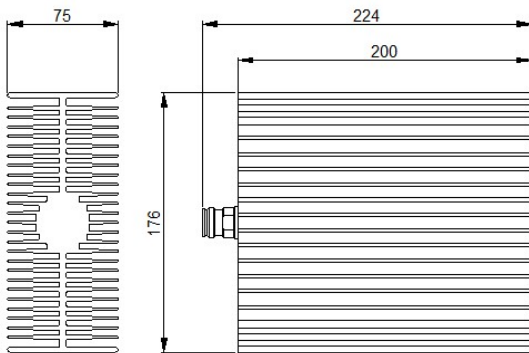
L55xxx2-V02
Termination Load 50 ohm
N / 4.3-10 / 7/16
DC-4000



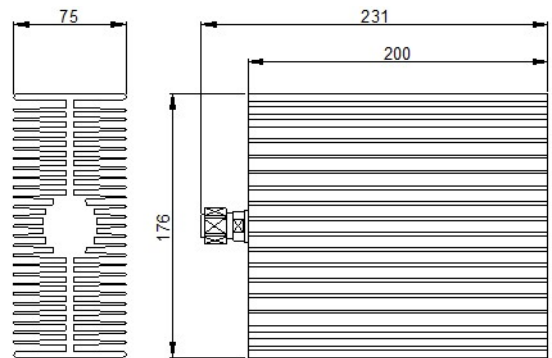
200W N Female



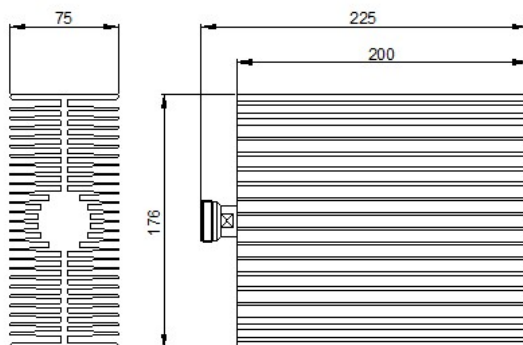
200W N Male



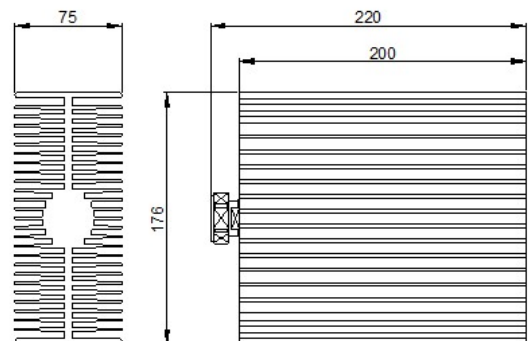
200W 4.3-10 Female



200W 4.3-10 Male



200W 7/16 Female



200W 7/16 Male