

G13x5026-V04 Triple Band Combiner



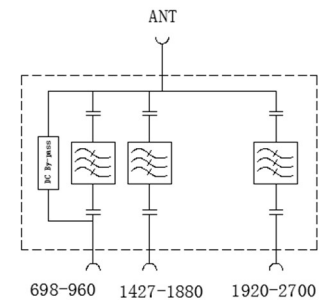
698-960 / 1427-1880 / 1920-2700

Triple Band Combiner 698-960 / 1427-1880 / 1920-2700

Preliminary

Type	G1315026-V04 Single Unit	G1325026-V04 Double Unit
Frequency (MHz)		
Port 1	698-960	
Port 2	1427-1880	
Port 3	1920-2700	
Insertion Loss (dB)		Port 1: ≤ 0.2 Port 2: ≤ 0.3 Port 3: ≤ 0.35
Isolation (dB)		≥ 50
PIM3 (dBc, @2x43dBm)		≤ -160
VSWR		≤ 1.25
Input Impedance (ohm)		50
Max. Input Power (W)		200 per Port
ASIG/DC By-pass		Bypass at Port 1 (Max. 2500mA)
Connectors		4.3-10 Female
Dimension (mm) (excluding connectors and clamp)	219 x 175 x 56	219 x 175 x 95
Weight (kgs)	3.7	7.1
Ingress Protection Class		IP66
Operational RH (%)		≤ 95
Operating Temperature (°C)		-40 to +60
Storage Temperature (°C)		-40 to +85
Barometric Pressure (kPa)		55 to 106
Lightning Protection		IEC 61000-4-5 / 3kA@10/350 μ S; 8kA@8/20 μ S
Mounting		Wall Mount or Pole Mount (Pole Size: \varnothing 40-115mm)

(E)

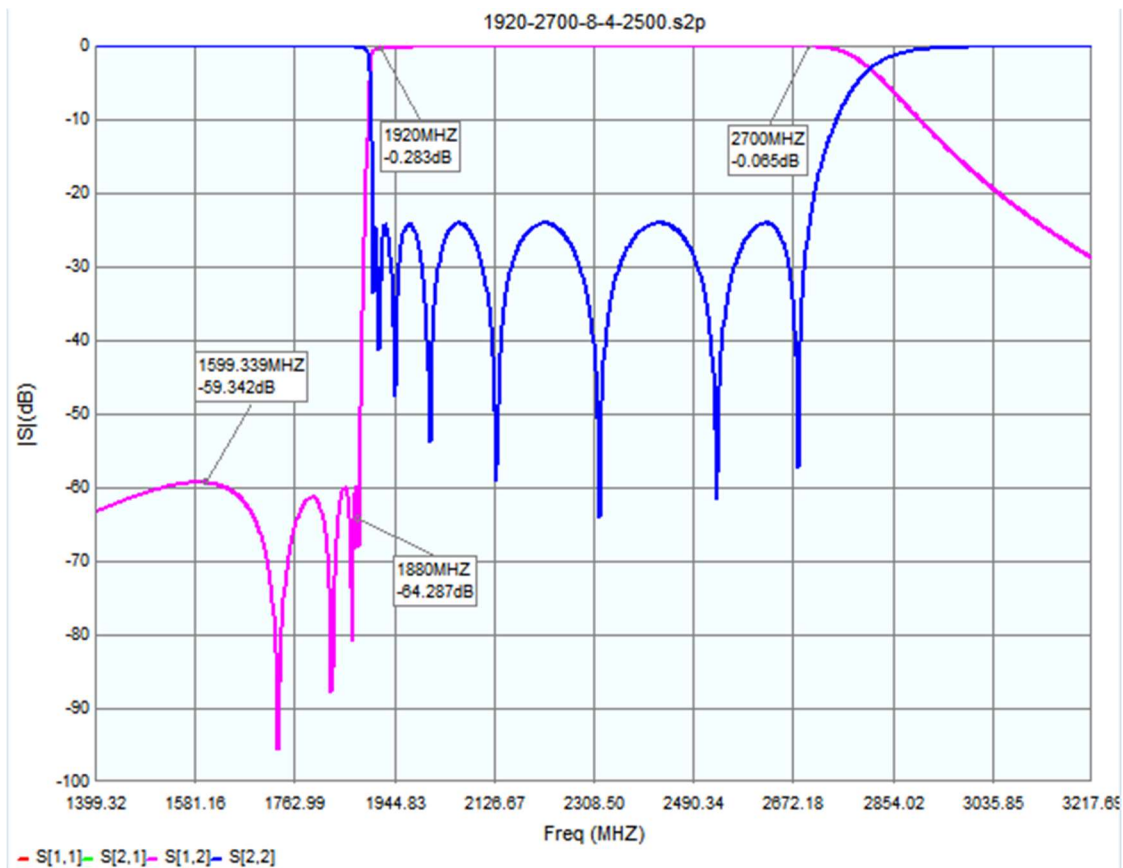
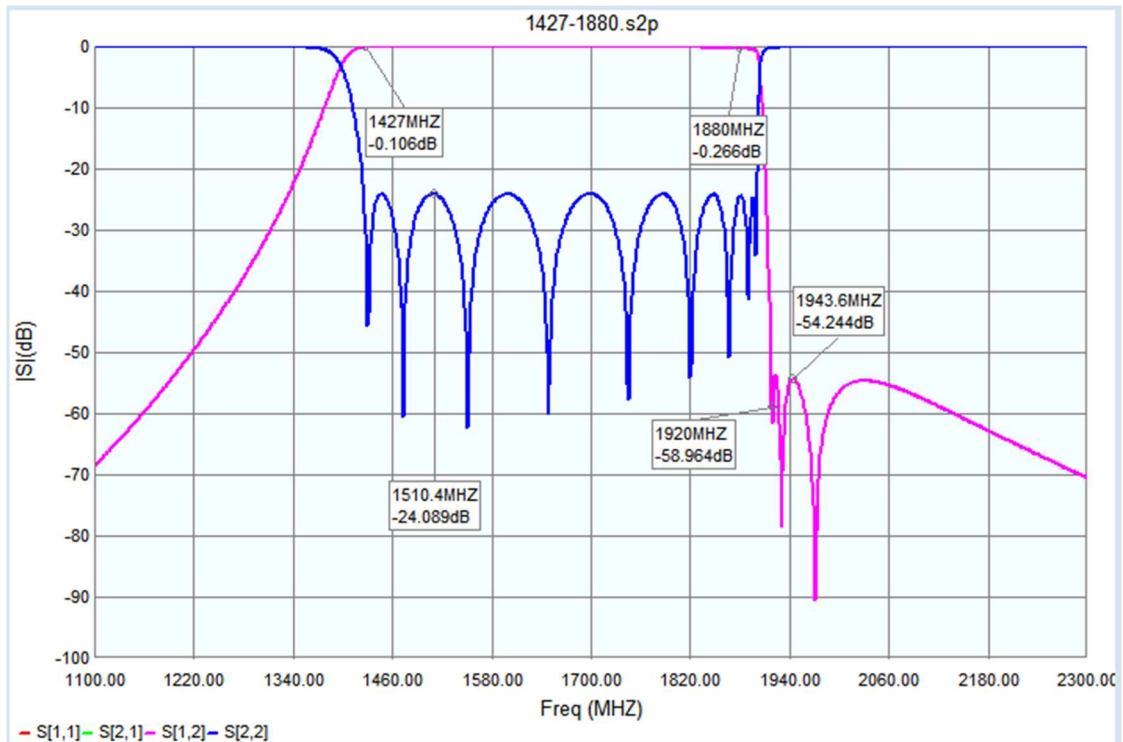


Block Diagram

G13x5026-V04 Triple Band Combiner



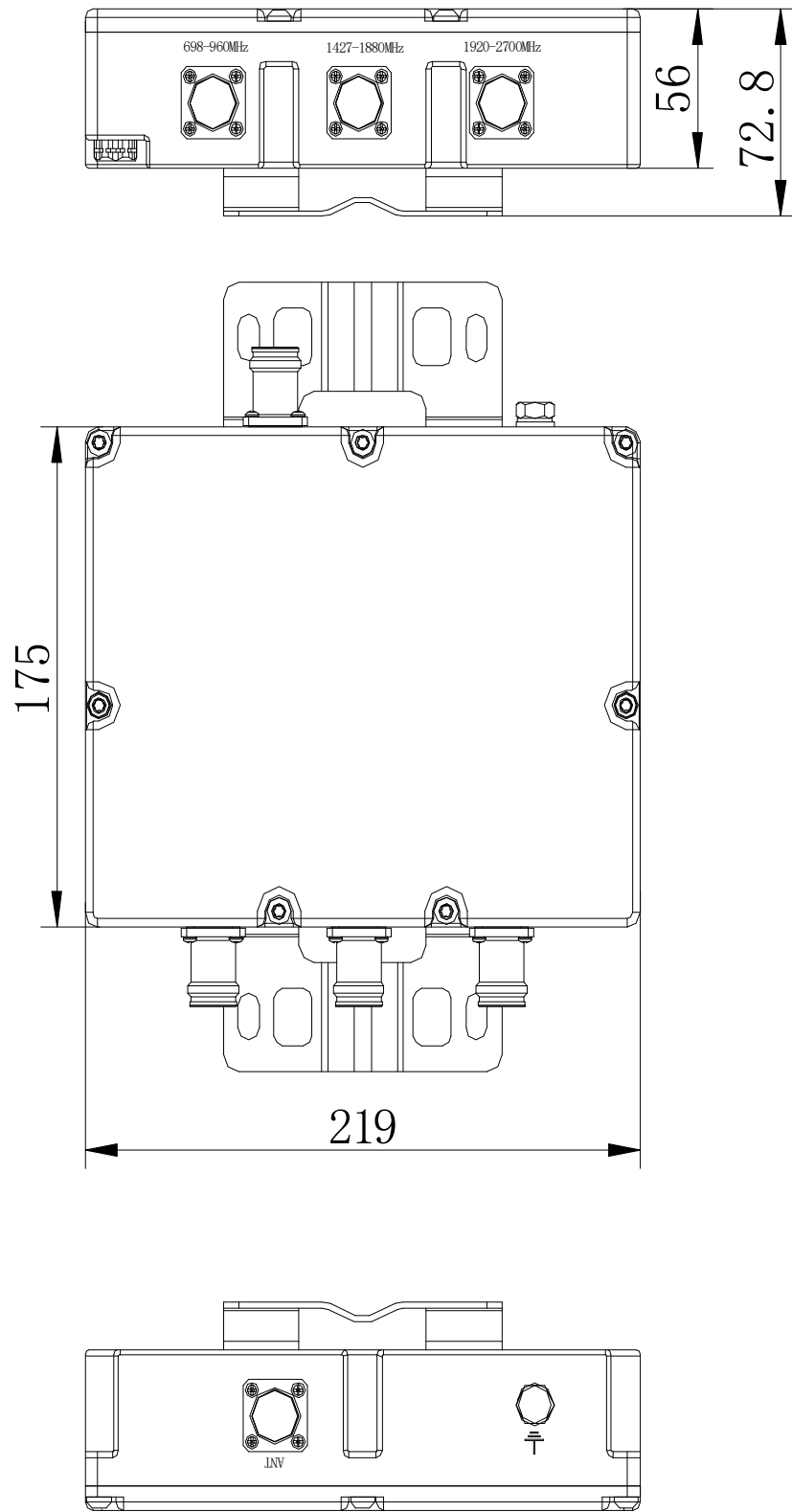
698-960 / 1427-1880 / 1920-2700



G13x5026-V04
Triple Band Combiner



698-960 / 1427-1880 / 1920-2700

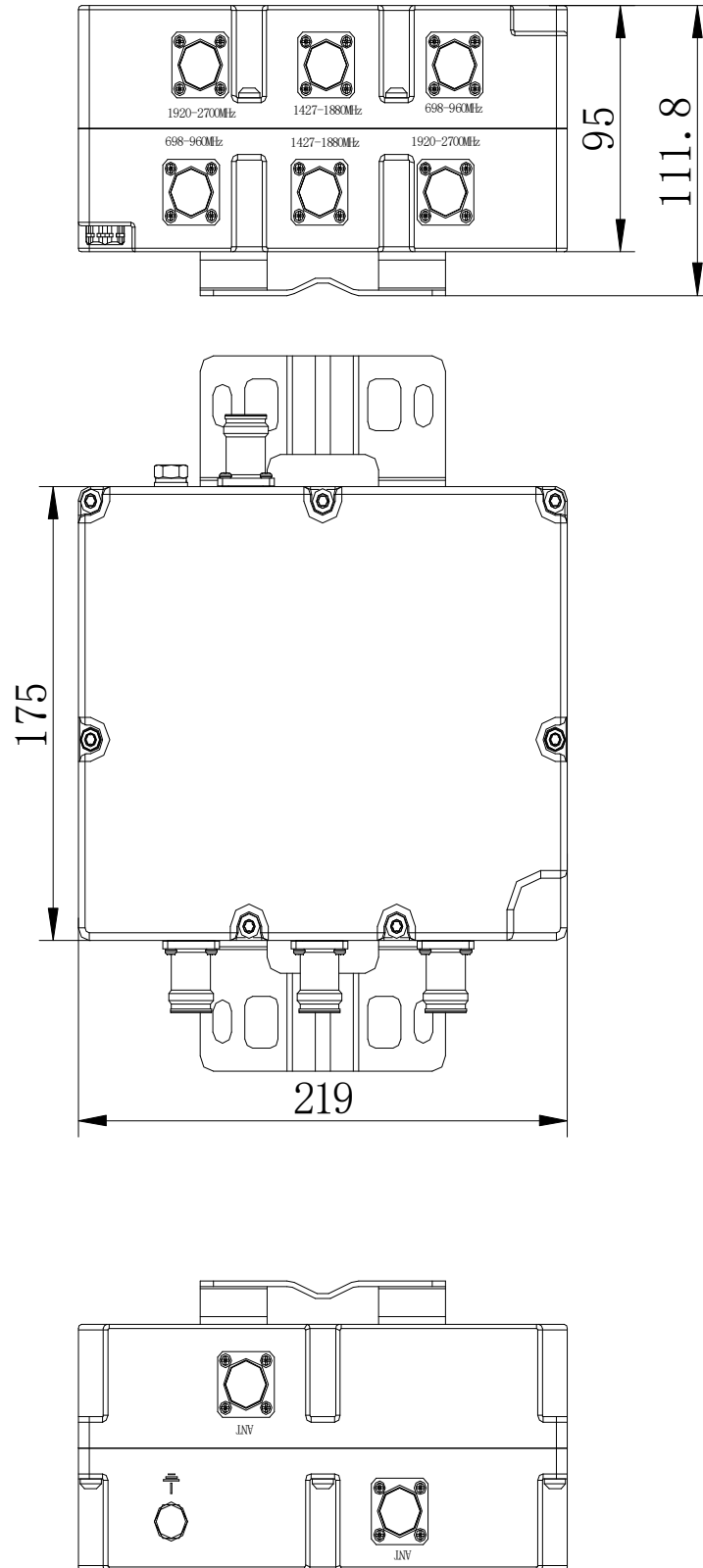


Single Unit

G13x5026-V04
Triple Band Combiner



698-960 / 1427-1880 / 1920-2700



Double Unit