

G13x5020-V04 Triple Band Combiner



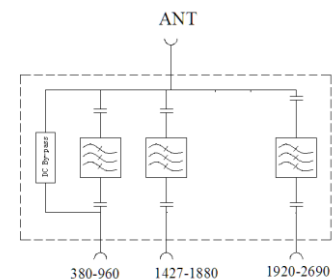
380-960 / 1427-1880 / 1920-2690

Triple Band Combiner 380-960 / 1427-1880 / 1920-2690

Preliminary

Type	G1315020-V04 Single Unit		G1325020-V04 Double Unit
Frequency (MHz)			
Port 1	380-960		
Port 2	1427-1880		
Port 3	1920-2690		
Insertion Loss (dB)	≤ 0.2 (380-960)	≤ 0.3 (1427-1880)	≤ 0.35 (1920-2690)
Isolation (dB)	≥ 50		
PIM3 (dBc, @2x43dBm)	≤ -150 (380-470)		≤ -160 (rest)
VSWR	≤ 1.25		
Input Impedance (ohm)	50		
Max. Input Power (W)	200 per Port		
ASIG/DC By-pass	Bypass at Port 1 (Max. 2500mA)		
Connectors	4.3-10 Female		
Dimension (mm) (excluding connectors and clamp)	219 x 175 x 56	219 x 175 x 95	
Weight (kgs)	3.7	7.1	
Ingress Protection Class	IP66		
Operational RH (%)	≤ 95		
Operating Temperature (°C)	-40 to +60		
Storage Temperature (°C)	-40 to +85		
Barometric Pressure (kPa)	55 to 106		
Lightning Protection	IEC 61000-4-5 / 3kA@10/350μS; 8kA@8/20μS		
Mounting	Wall Mount or Pole Mount (Pole Size: Ø40-115mm)		

(E)32242N

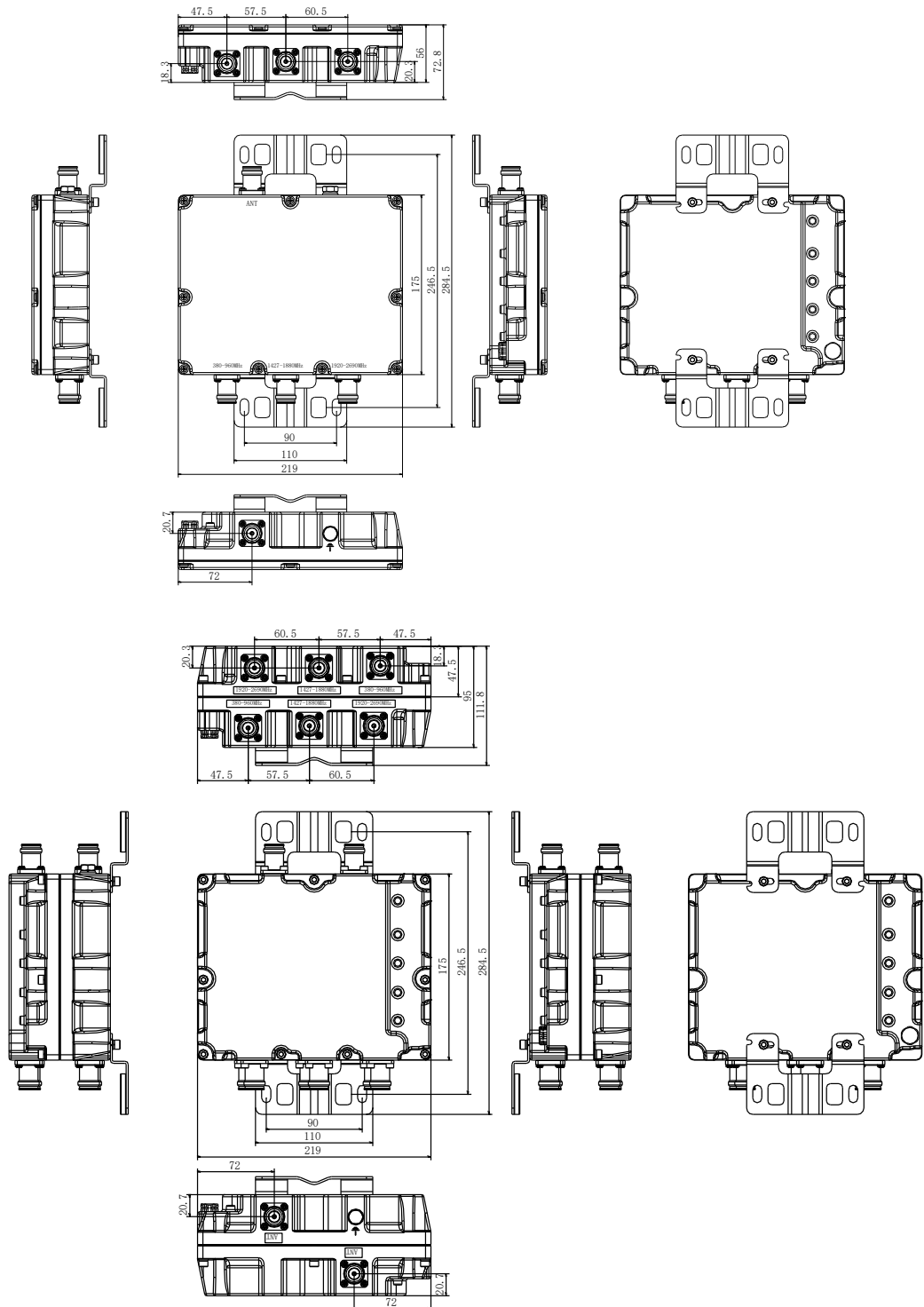


Block Diagram

G13x5020-V04 Triple Band Combiner



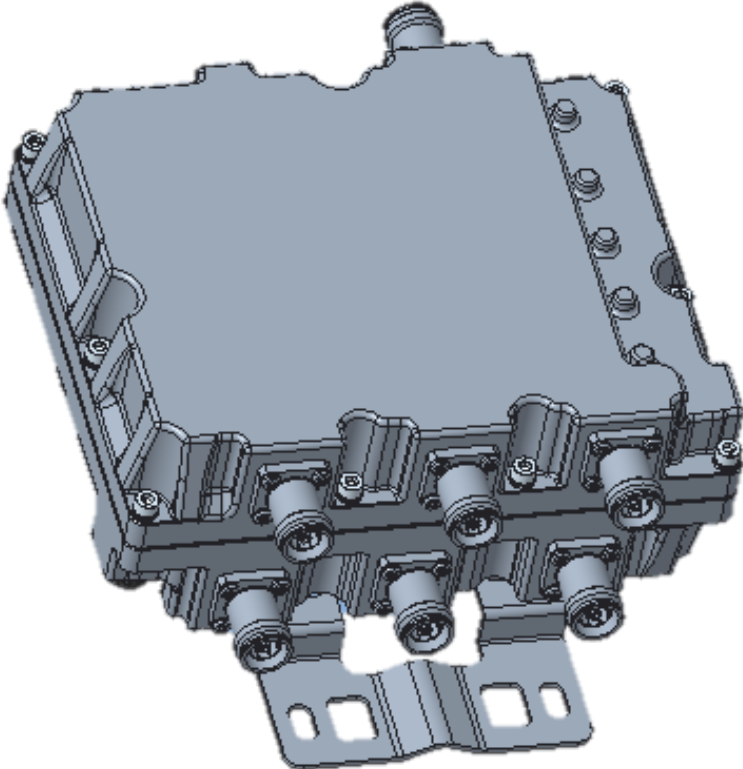
380-960 / 1427-1880 / 1920-2690



G13x5020-V04
Triple Band Combiner



380-960 / 1427-1880 / 1920-2690



380-960 / 1427-1880 / 1920-2690

