

G13x3018-V04 Triple Band Combiner



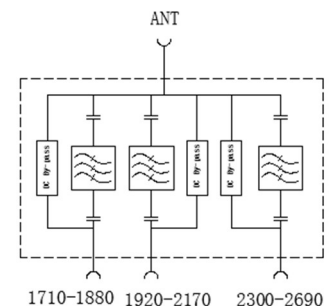
1710-1880 / 1920-2170 / 2300-2690

Dual Band Combiner 1710-1880 / 1920-2170 / 2300-2690

Preliminary

Type	G1313018-V04 Single Unit	G1323018-V04 Double Unit
Frequency (MHz)		
Port 1	1710-1880	
Port 2	1920-2170	
Port 3	2300-2690	
Insertion Loss (dB)	≤ 0.3	
Isolation (dB)	≥ 50	
PIM3 (dBc, @2x43dBm)	≤ -155	
VSWR	≤ 1.25	
Return Loss (dB)	≥ 19	
Input Impedance (ohm)	50	
Max. Input Power (W)	250 per Port	
ASIG/DC By-pass	Bypass at All Ports (Max. 3000mA)	
Connectors	4.3-10 Female	
Dimension (mm) (excluding connectors and clamp)	192 x 160 x 55	192 x 160 x 96
Weight (kgs)	3.0	6.0
Ingress Protection Class	IP67	
Operational RH (%)	≤ 95	
Operating Temperature (°C)	-20 to +60	
Storage Temperature (°C)	-40 to +85	
Barometric Pressure (kPa)	55 to 106	
Lightning Protection	IEC 61000-4-5 / 3kA@10/350μS; 8kA@8/20μS	
Mounting	Wall Mount or Pole Mount (Pole Size: Ø40-115mm)	

(E)22242N

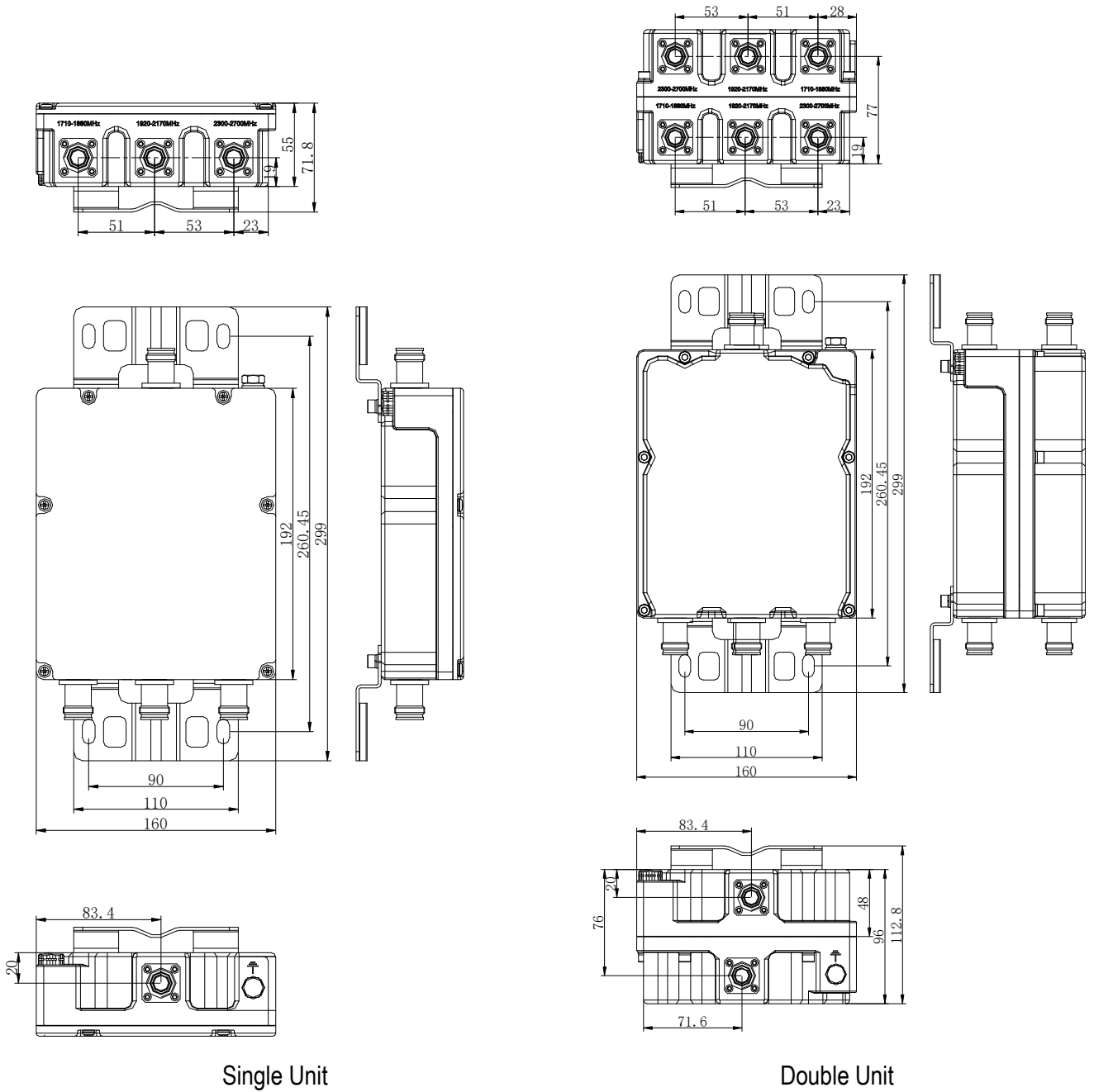


Block Diagram

G13x3018-V04 Triple Band Combiner



1710-1880 / 1920-2170 / 2300-2690



Single Unit

Double Unit