

G12x5019-V04
Dual Band Combiner



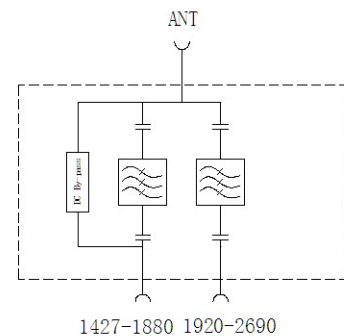
1427-1880 / 1920-2690

Dual Band Combiner 1427-1880 / 1920-2690

Preliminary

Type	G1215019-V04 Single Unit	G1225019-V04 Double Unit
Frequency (MHz)		
Port 1	1427-1880	
Port 2	1920-2690	
Insertion Loss (dB)	≤ 0.3 (1427-1880)	≤ 0.35 (1920-2690)
Isolation (dB)	≥ 50	
PIM3 (dBc, @2x43dBm)	≤ -160	
VSWR	≤ 1.25	
Return Loss (dB)	≥ 19	
Input Impedance (ohm)	50	
Max. Input Power (W)	300 per Port	
ASIG/DC By-pass	Bypass Port 1 (Max. 2500mA)	
Connectors	4.3-10 Female	
Dimension (mm) (excluding connectors and clamp)	185 x 145 x 56	185 x 145 x 95
Weight (kgs)	3.5	6.8
Ingress Protection Class	IP66	
Operational RH (%)	≤ 95	
Operating Temperature (°C)	-40 to +60	
Storage Temperature (°C)	-40 to +85	
Barometric Pressure (kPa)	55 to 106	
Lightning Protection	IEC 61000-4-5 / 3kA@10/350μS; 8kA@8/20μS	
Mounting	Wall Mount or Pole Mount (Pole Size: Ø40-115mm)	

(E)52312N

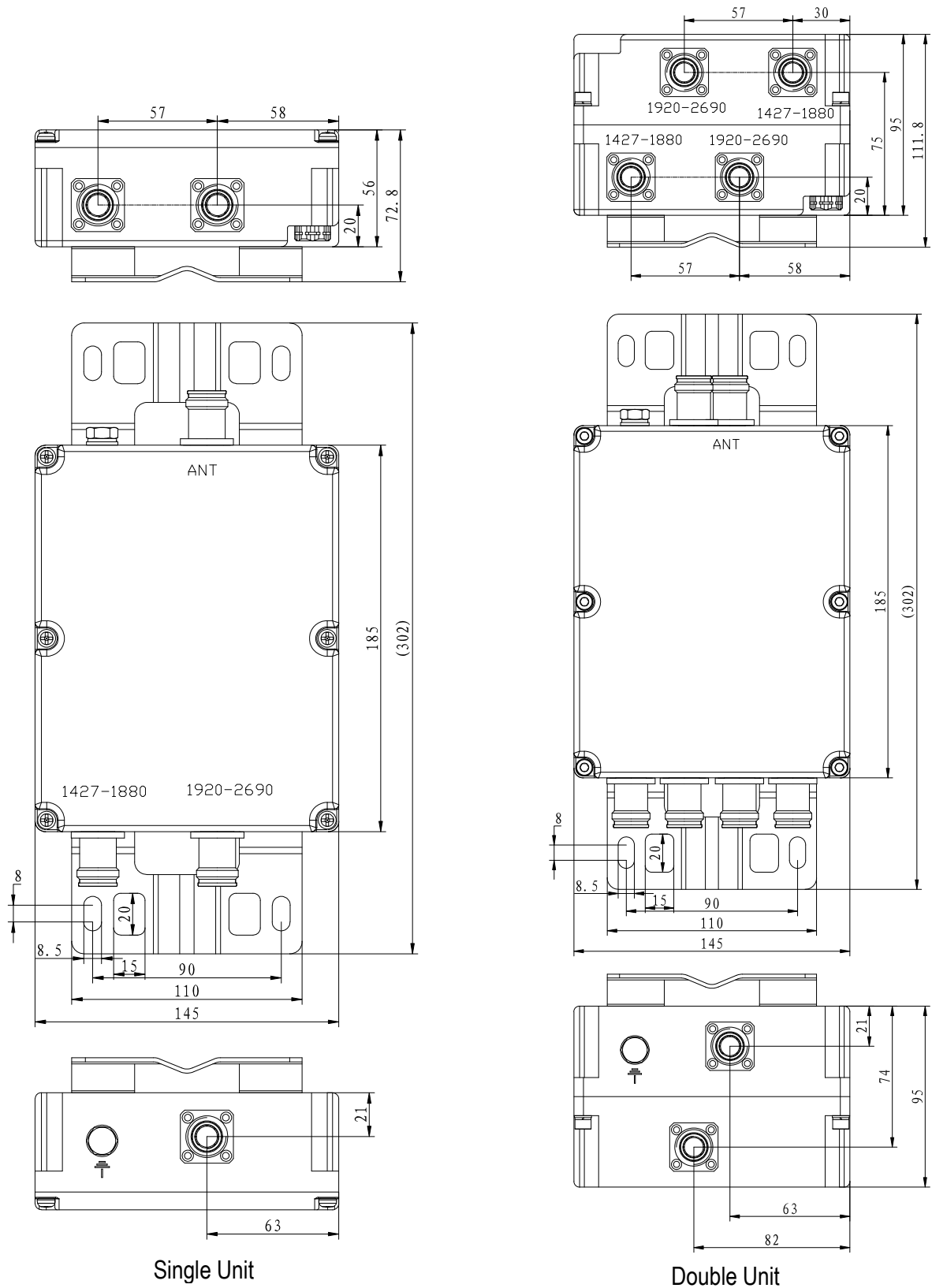


Block Diagram

**G12x5019-V04
Dual Band Combiner**



1427-1880 / 1920-2690



Single Unit

Double Unit

G12x5019-V04 Dual Band Combiner



1427-1880 / 1920-2690

