

G12x3021-V04 / G12x3022-V04 Dual Band Combiner



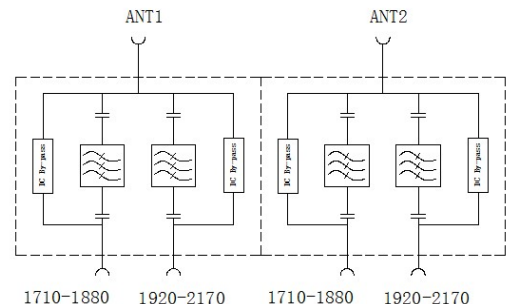
1710-1880 / 1920-2170

Dual Band Combiner 1710-1880 / 1920-2170

Preliminary

Type	4.3-10 Female	G1213021-V04 Single Unit	G1223021-V04 Double Unit
	7/16 Female	G1213022-V04 Single Unit	G1223022-V04 Double Unit
Frequency (MHz)			
Port 1		1710-1880	
Port 2		1920-2170	
Insertion Loss (dB)		≤ 0.35	
Isolation (dB)		≥ 50	
PIM3 (dBc, @2x43dBm)		≤ -160	
VSWR		≤ 1.25	
Return Loss (dB)		≥ 19	
Input Impedance (ohm)		50	
Max. Input Power (W)		250 per Port	
ASIG/DC By-pass		Bypass at All Ports (Max. 2500mA)	
Connectors		See Above Type Selection	
Dimension (mm) (excluding connectors and clamp)		148 x 140 x 44	148 x 140 x 92
Weight (kgs)		2.5	5.0
Ingress Protection Class		IP67	
Operational RH (%)		≤ 95	
Operating Temperature (°C)		-20 to +60	
Storage Temperature (°C)		-40 to +85	
Barometric Pressure (kPa)		55 to 106	
Lightning Protection		IEC 61000-4-5 / 3kA@10/350μS; 8kA@8/20μS	
Mounting		Wall Mount or Pole Mount (Pole Size: Ø40-115mm)	

(E)05112N

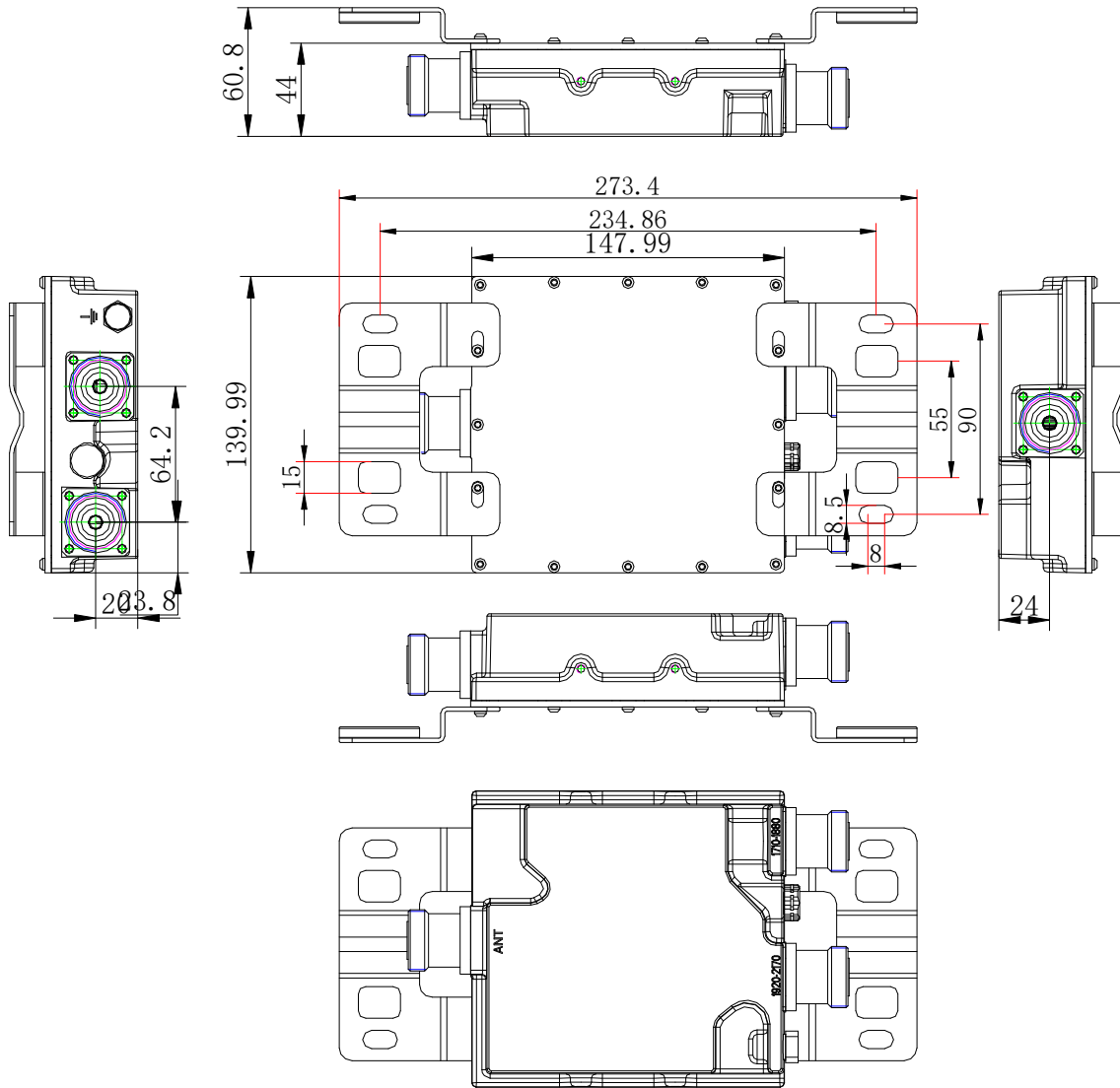


Block Diagram

G12x3021-V04 / G12x3022-V04 Dual Band Combiner



1710-1880 / 1920-2170

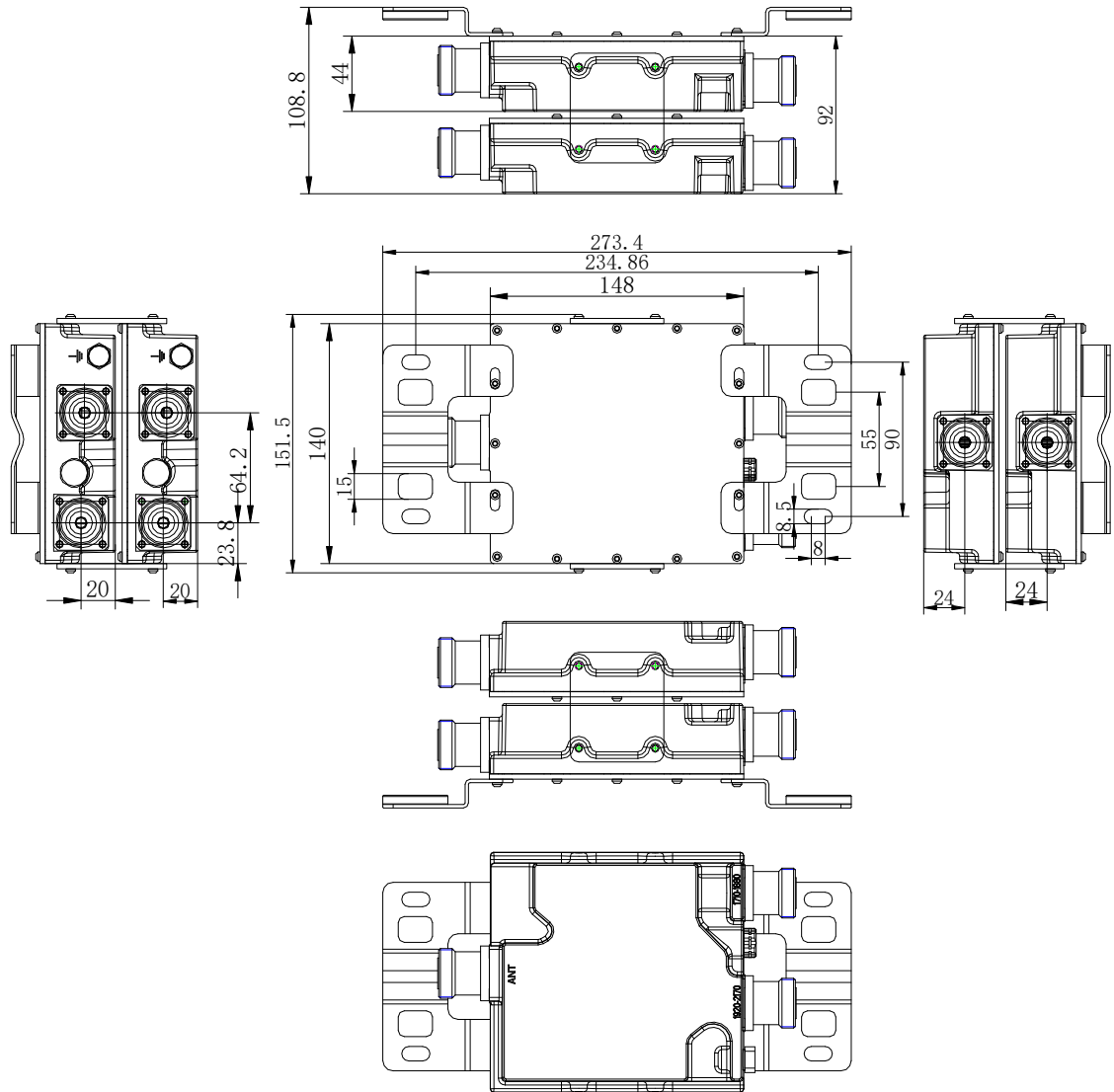


Single Unit

G12x3021-V04 / G12x3022-V04 Dual Band Combiner



1710-1880 / 1920-2170



Double Unit