

G12x3016-V04 Dual Band Combiner



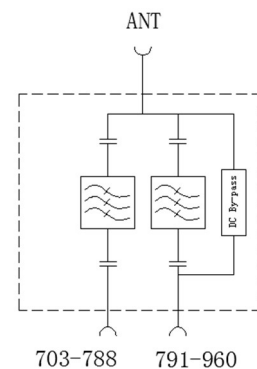
703-788 / 791-960

Dual Band Combiner 703-788 / 791-960

Preliminary

Type		G1213016-V04 Single Unit		G1223016-V04 Double Unit	
Frequency Range (MHz)	Port 1 Port 2	703-788 791-960			
Insertion Loss (dB)	Port 1 Port 2	703-785: ≤ 0.7 791-793: ≤ 1.5	785-787: ≤ 1.0 793-800: ≤ 1.0	787-788: ≤ 1.5 800-960: ≤ 0.7	
Isolation (dB)		≥ 40			
PIM3 (dBc, @2x43dBm)		≤ -160			
Return Loss (dB)		≥ 19			
VSWR		≤ 1.25			
Input Impedance (ohm)		50			
Input Power (W)		200 per Port			
ASIG/DC By-pass		Bypass at Port 2 (791-960MHz), max. 2,500mA			
Connector Type		4.3-10 Female			
Dimension (mm) (excluding connectors and clamp)		Single Unit: 224 x 190 x 62.5	Double Unit: 224 x 190 x 130		
Weight (kgs)		Single Unit: 4.5	Double Unit: 9		
Ingress Protection Class		IP67			
Operational RH (%)		≤ 95			
Operating Temperature (°C)		-40 to +60			
Storage Temperature (°C)		-40 to +85			
Barometric Pressure (kPa)		55 to 106			
Operating RH (%)		5 to 95			
Lightning Protection		IEC 61000-4-5 / 3kA@10/350 μ S; 8kA@8/20 μ S			
Mounting		Wall Mount or Pole Mount (Pole Size: \varnothing 40-115mm)			

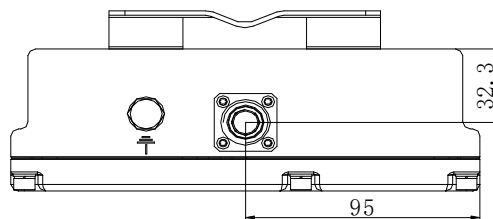
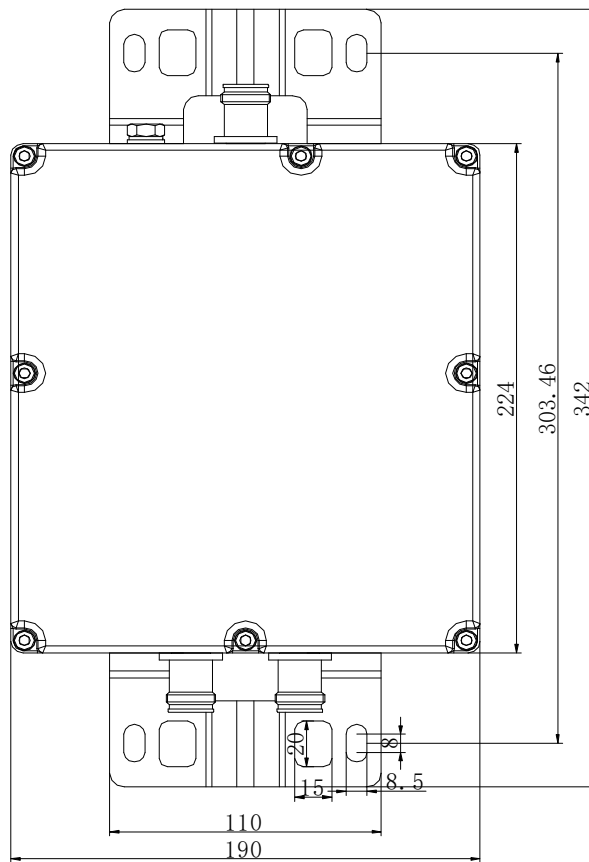
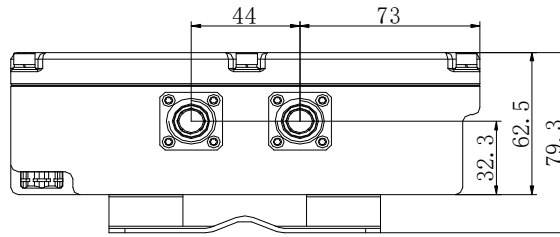
(E)B42312N/C42312N



G12x3016-V04
Dual Band Combiner



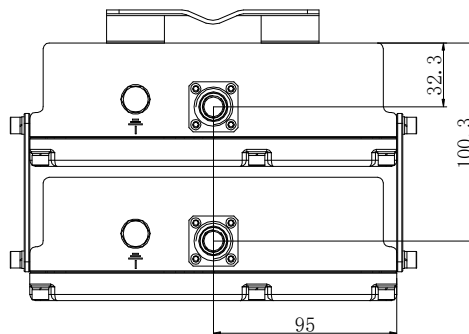
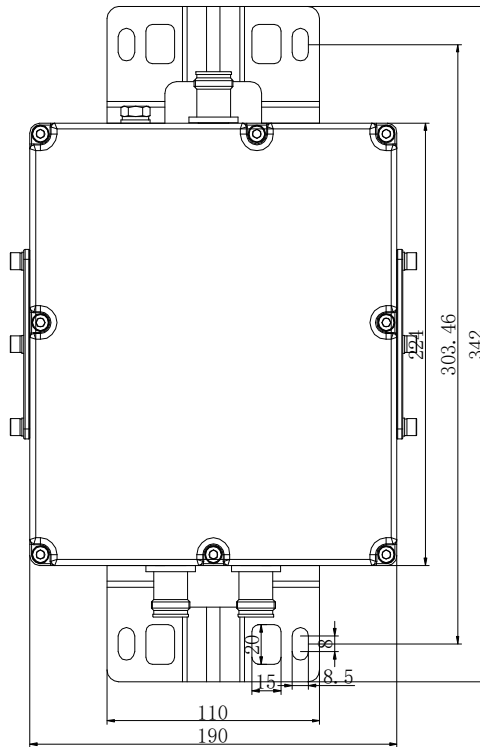
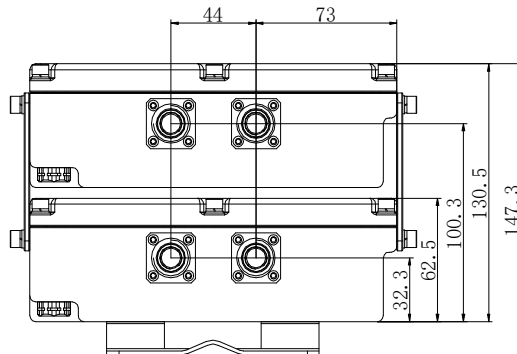
703-788 / 791-960



G12x3016-V04
Dual Band Combiner



703-788 / 791-960



G12x3016-V04 Dual Band Combiner



703-788 / 791-960

