

**G12x3005-V04**  
**Dual Band Combiner**



**1710-2170 / 2500-2690**

**Dual Band Combiner 1710-2170 / 2500-2690**

**Preliminary**

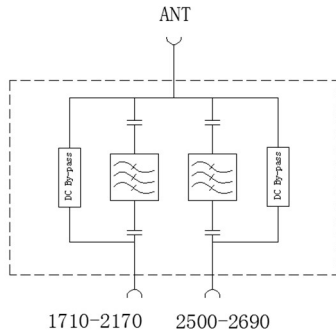
Type	<b>G1213005-V04</b> Single Unit	<b>G1223005-V04</b> Double Unit
Frequency (MHz)		
Port 1	1710-2170	
Port 2	2500-2690	
Insertion Loss (dB)	≤ 0.3	
Isolation (dB)	≥ 50	
PIM3 (dBc, @2x43dBm)	≤ -150	
VSWR	≤ 1.25	
Return Loss (dB)	≥ 19	
Input Impedance (ohm)	50	
Max. Input Power (W)	250 per Port	
ASIG/DC By-pass	Bypass at All Ports (Max. 3000mA)	
Connectors	4.3-10 Female	
Dimension (mm) (excluding connectors and clamp)	117 x 116 x 49	117 x 116 x 82
Weight (kgs)	2.5	5.0
Ingress Protection Class	IP67	
Operational RH (%)	≤ 95	
Operating Temperature (°C)	-20 to +60	
Storage Temperature (°C)	-40 to +85	
Barometric Pressure (kPa)	55 to 106	
Lightning Protection	IEC 61000-4-5 / 3kA@10/350μS; 8kA@8/20μS	
Mounting	Wall Mount or Pole Mount (Pole Size: Ø40-115mm)	

(E)

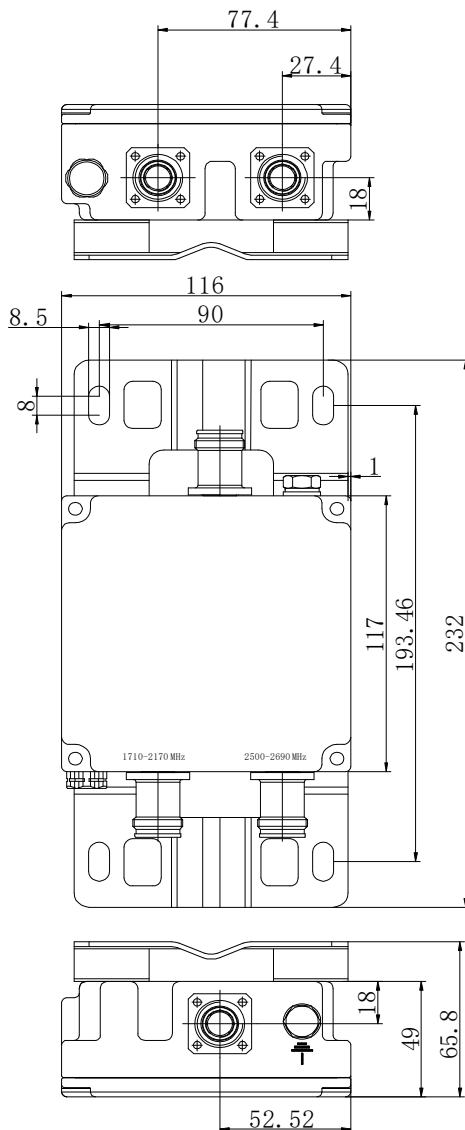
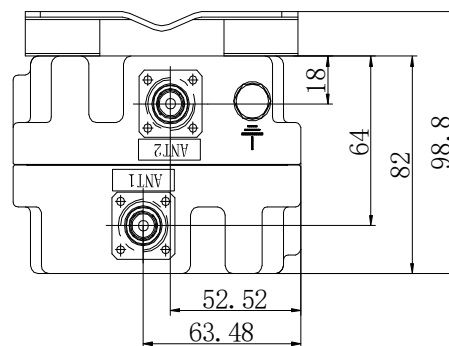
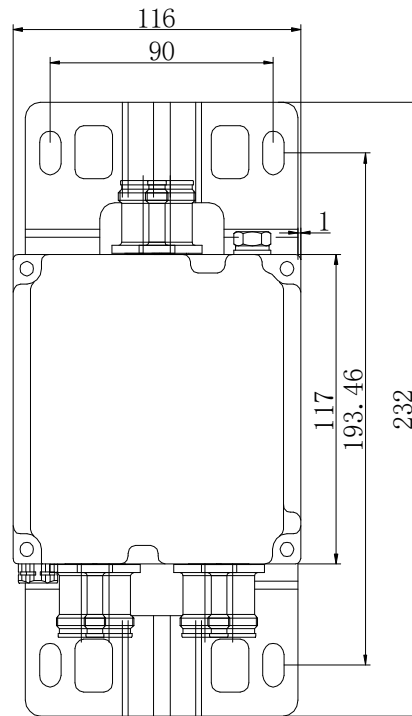
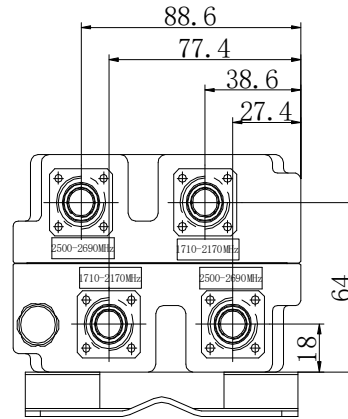
# G12x3005-V04 Dual Band Combiner



1710-2170 / 2500-2690



Block Diagram



Single Unit

Double Unit